

# AR-250

## LED Light Housing

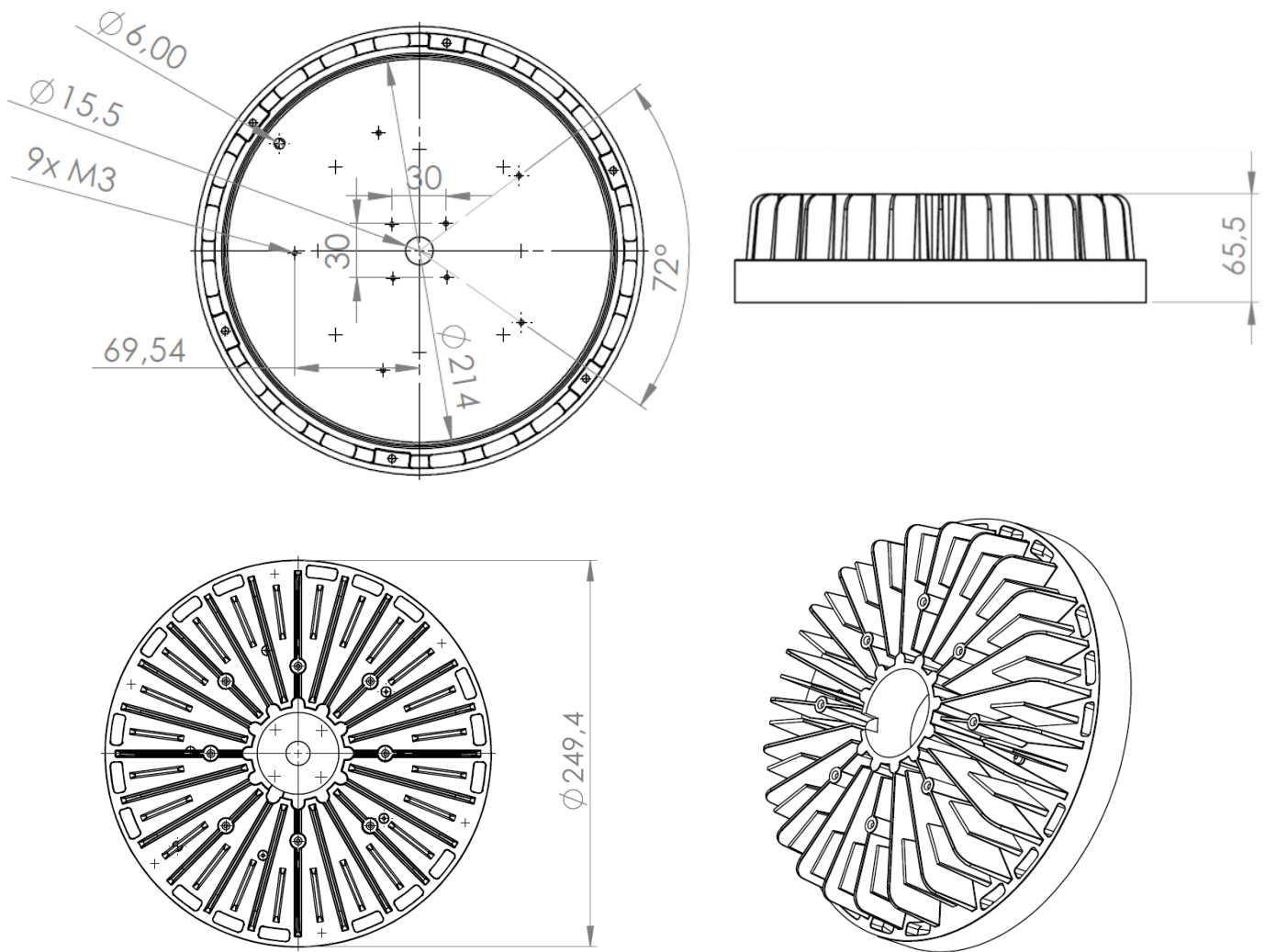
---



- LED Fixture Outer Diameter **9.84in (250mm)**
- LED Application Surface Diameter **8.42in (214mm)**
- **Heavy-Duty** Heatsink
- Black **Powder Coated** Heatsink Body
- Milled & Machined LED Application Surface
- High Capacity **Heat Dissipation**
- **Water Proof** Design
- Driver Mounting Holes compatible with well-know Driver brands



# Technical Features

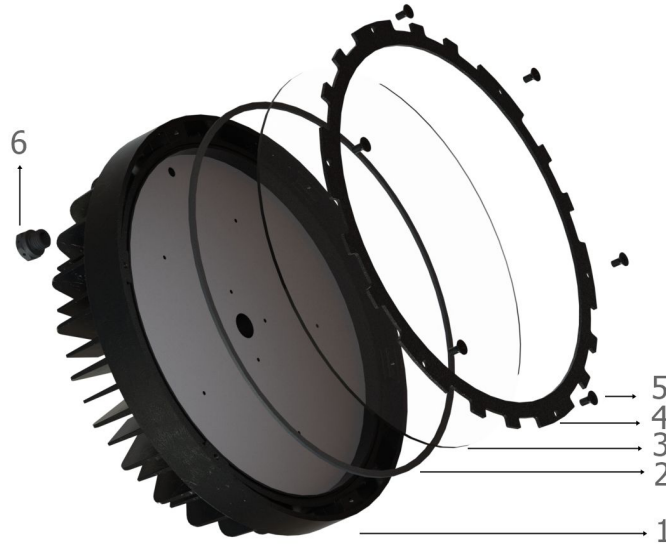


\*All technical dimensions in mm

## Heavy-Duty Heatsink

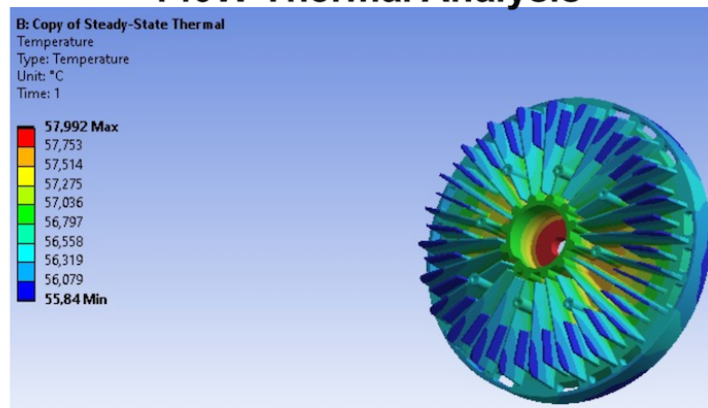
Designed to offer better Heat Dissipation

Heatsink Weight:	<b>6.2lbs (2800gr)</b>
Surface Area	<b>379.405mm<sup>2</sup> (588in<sup>2</sup>)</b>
Thermal Resistance (Rth)	<b>0.207 C/W</b>



Nr.	PRODUCT	QTY
1	Heatsink	1
2	Gasket for Front Glass Window	1
3	Glass Window	1
4	Glass Holder	1
5	M4x10 Black Countersunk Machine Screws	6
6	M12 Ventilation Plug	1

### 140W Thermal Analysis



### 160W Thermal Analysis

