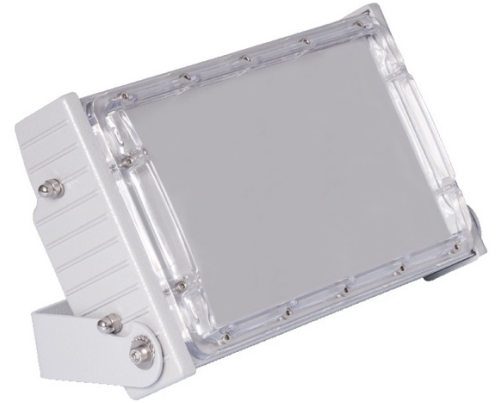
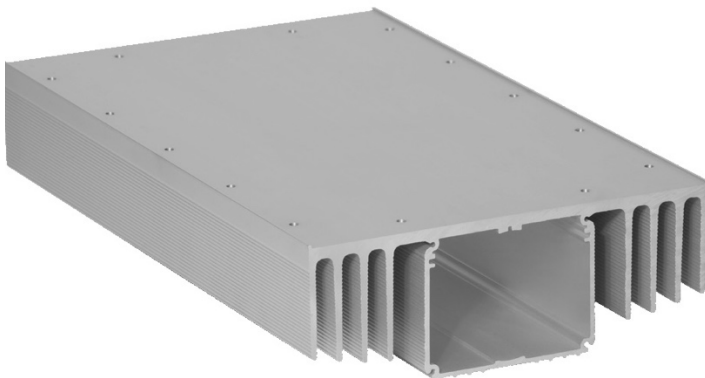


905 Series Flood LED Light Housing

- LED Application Surface **5.30in x 9.25in**
- **Heavy-Duty** Heatsink
- High Capacity Heat Dissipation
- **Water Proof** Design
- Adjustable Mounting
- Hard-Polycarbonate Front Window

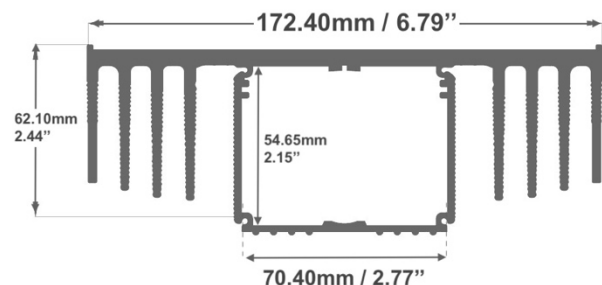


Product Features



Heavy-Duty Heatsink

Designed to offer better Heat Dissipation

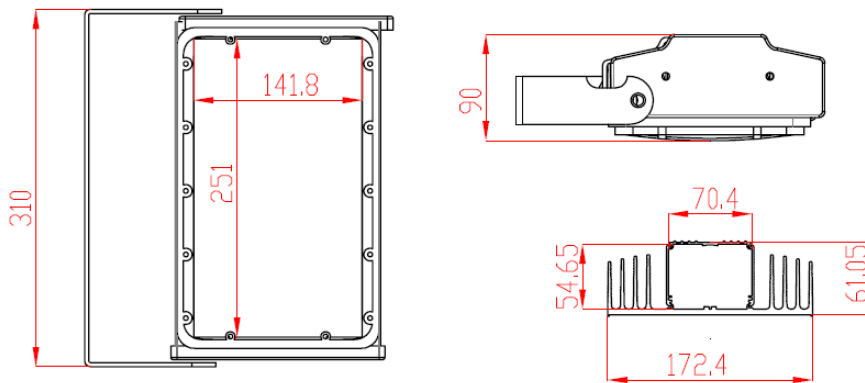


What's in the box?

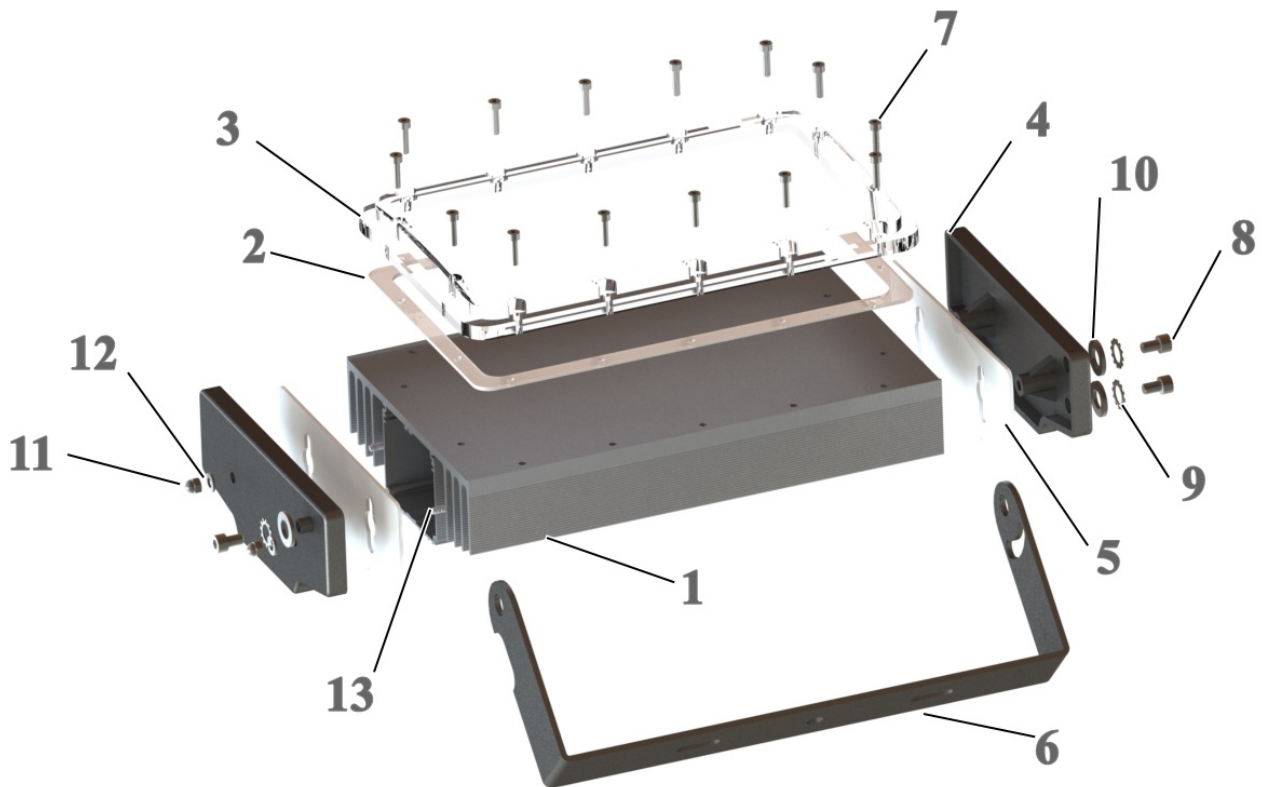


The **905 Series Flood** is offered as **all-inclusive finished product** with Heatsink Extrusion, Special design Aluminum Side Covers with Gaskets, Polycarbonate Front Window with Sealing Gasket, Mounting Brackets and Hardware.

Technical Drawing



Heatsink Extrusion	6063-T5 Clear Anodized Aluminum
Side Covers	Electrostatic Painted Aluminum
Front Window	Polycarbonate Window
Gaskets	Silicon Gasket
Mounting Bracket	3.5mm HRP Electrostatic Painted Aluminum



Nr.	PRODUCT	QTY
1	905ASL Extrusion Profile	1
2	Front Window Silicon Gasket	1
3	Polycarbonate Front Window	1
4	Aluminum Side Cover (End Caps)	2
5	Silicon Gasket for Side Cover (End Caps)	2
6	Mounting Bracket	1
7	M4X16 Imbus Bolt	14
8	M6X10 Imbus Bolt	3
9	M6 Lock Washer	3
10	M6 Washer	3
11	M6 Base Nut	4
12	M6 Tight Washer	4