

# 903 Series

## LED Light Housing

- Available Lengths **12in, 16in & 20in**
- LED Application Surface Width **10.24in**
- **Heavy-Duty** Heatsink
- High Capacity Heat Dissipation
- **Water Proof** Design
- Adjustable Mounting
- External Driver Housing (Optional)

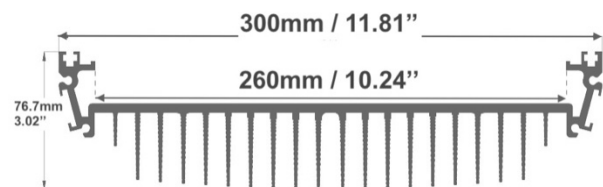


## Product Features

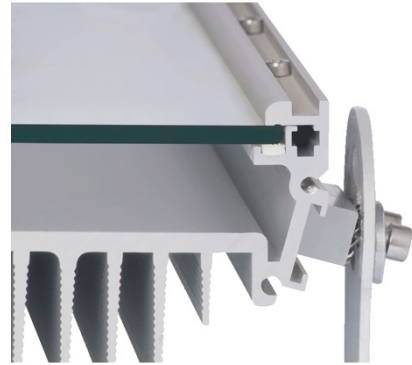


### Heavy-Duty Heatsink

Designed to offer better Heat Dissipation



## Front Glass Window Sealing Application with **Silicon Gaskets**



## Driver Housing

### 1906ASL\* Driver Housing Profile

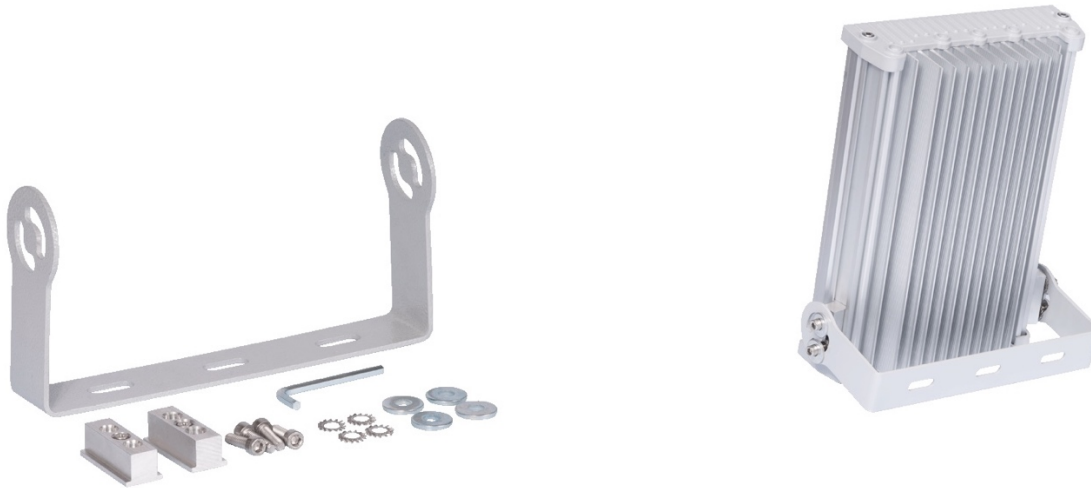


\*For **Driver Housing** needs, the **1906ASL\*** profile is compatible with the 903ASL thanks to its sliding channels on both sides

\*Should be ordered Separately

## Mounting Options

903ASL-MNT Adjustable Mounting Bracket compatible with all length options.



## 903ASL-MNT

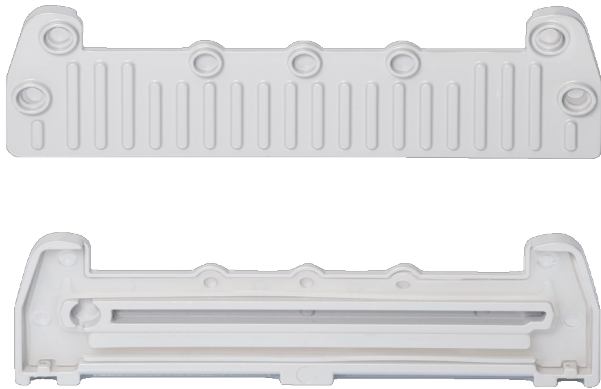
---

Adjustable Mounting Bracket (AMB-XL) compatible with 16in and 20in length options.



## AMB-XL

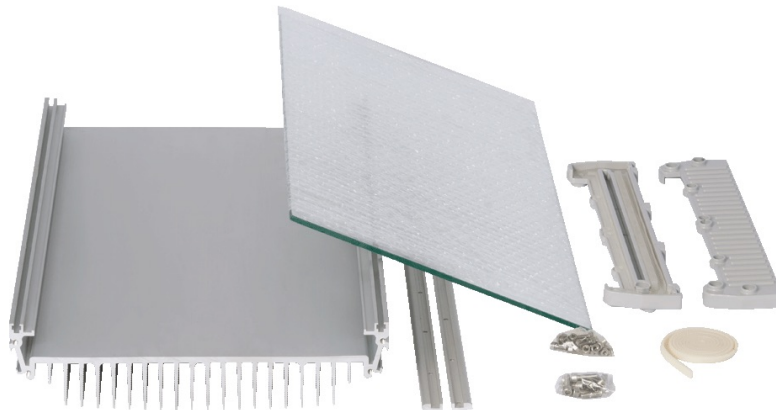
## Side Covers



### Aluminum Side Covers

Electrostatic Painted End Caps  
with Special Designed Silicon  
Gaskets

## What's in the box?

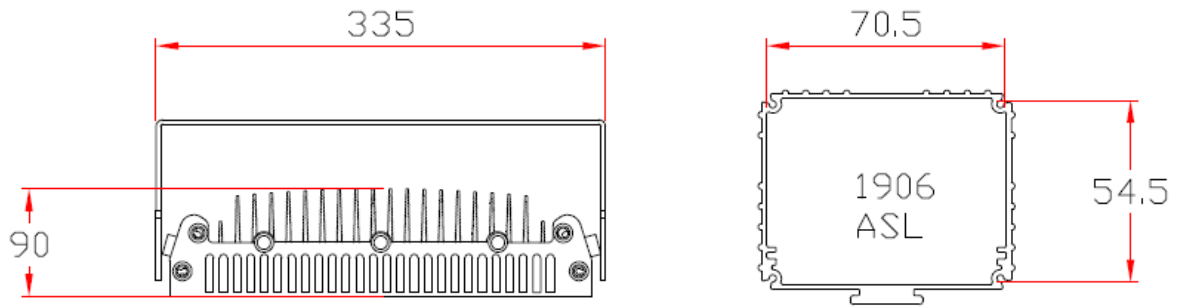


Standard 903 Series is offered as **all-inclusive finished product** with 12in (300mm), 16in (400mm) and 20in (500mm) Heatsink, Special design Aluminum Side Covers with Gaskets, Front Window Frame Sticks, Front Window Sealing Gasket, a Tempered Window and Hardware.

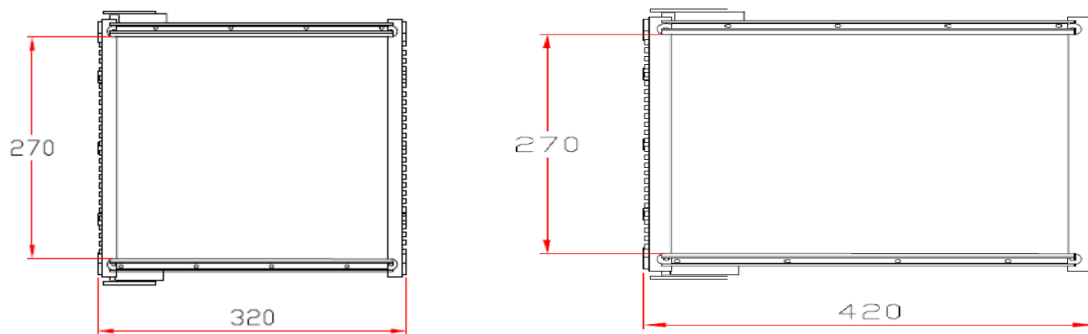
12in Version also includes 903ASL-MNT Mounting Bracket.

16in and 20in Versions do not include Mounting Brackets. Should be ordered Separately.

# Technical Drawing

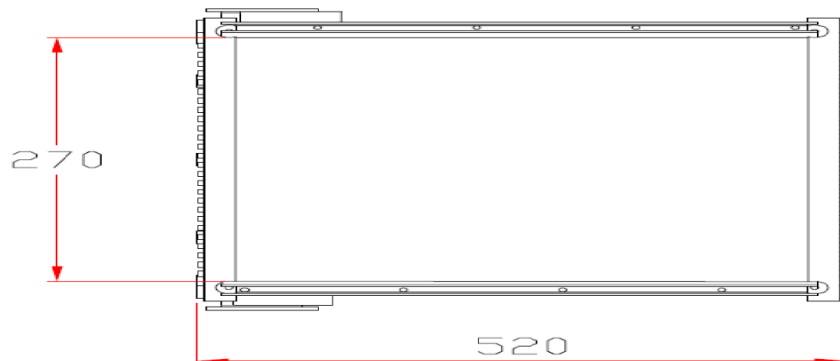


**1906ASL Driver Housing**



**903 Series 12in.**

**903 Series 16in**



**903 Series 20in**

Heatsink Extrusion	6063-T5 Clear Anodized Aluminum
Side Covers	Electrostatic Painted Aluminum
Front Window	Tempered Glass
Gaskets	Silicon Gasket
Mounting Bracket	3.5mm HRP Electrostatic Painted Aluminum



**903 Series 12in.**



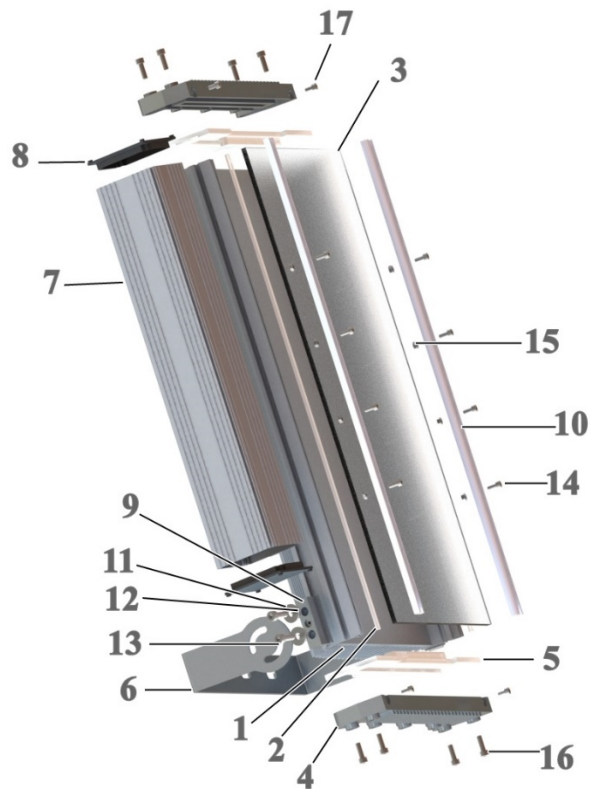
**903 Series 16in**



**903 Series 20in**

## Ordering Information

Profile	Profile Length	Mounting	Driver Housing
903 Series	12" (300mm) 16" (400mm) 20" (500mm) Custom Length* *(Available upon Request)	903ASL-MNT AMB-XL	1906ASL (Optional) (Specify Length)



Nr.	PRODUCT	QTY
1	903ASL Extrusion Profile	1
2	Gasket for Front Glass Window	2
3	Glass Window	1
4	Aluminum Side Cover (End Caps)	2
5	Silicon Gasket for Side Cover (End Caps)	2
6	Mounting Bracket	1
7	1906ASL Driver Housing Profile	1
8	1906ASL Driver Housing Plastic Side Caps	2
9	Sliding Part for Mounting Bracket	2
10	Glass Window Sticks	2
11	M6 Washer	4
12	M6 Lock Washer	4
13	M6X20 Imbus Bolt	4
14	M4X10 Imbus Bolt	8
15	M4 Nut	8
16	M5X16 Imbus Bolt	8
17	M4X8 Imbus Bolt	4