

540ASL - Linear LED Channel

The **540ASL** is a **Linear LED Channel** with **Polycarbonate Lens Cover** and **Clear Anodized Aluminum Body** with an **internal housing space for LED Drivers**.

This LED Channel is designed for various applications like to build **Shop Lights**, **Horticultural Grow Lights**, **Garage Lighting**.

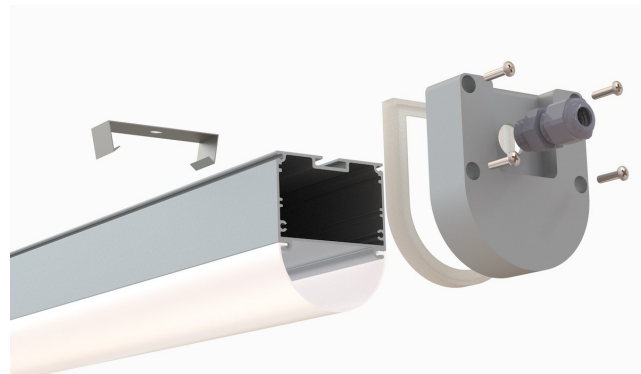
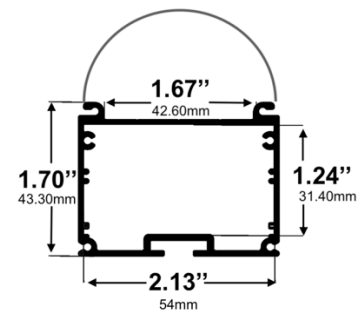
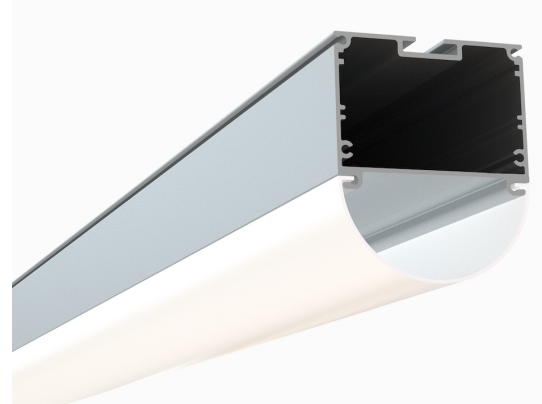
Thanks to its **Diffuser Lens Design** and **End Caps Design with Gasket and Cord Grips**, it offers a **Water-Resistant Linear LED Light Fixture**.

It's mounted with its **easy-to-install Surface Mount Clips**. It can also be used as a **Suspended LED Channel**. ([Suspension Kit](#) not included in box. Must be ordered separately)

Type:.....**LED Channel**
 Material:...**Aluminum 6063-T5**
 Surface:.....**Clear Anodized**
 Height w/Lens: **66.00mm / 2.60"**
 Height:.....**43.30mm / 1.70"**
 Width:.....**54.00mm / 2.13"**

Length Availability

4ft (Actual Size 47") / 1.20m
 8ft (Actual Size 94") / 2.40m
 10ft (Actual Size 118") / 3.00m



Accessories

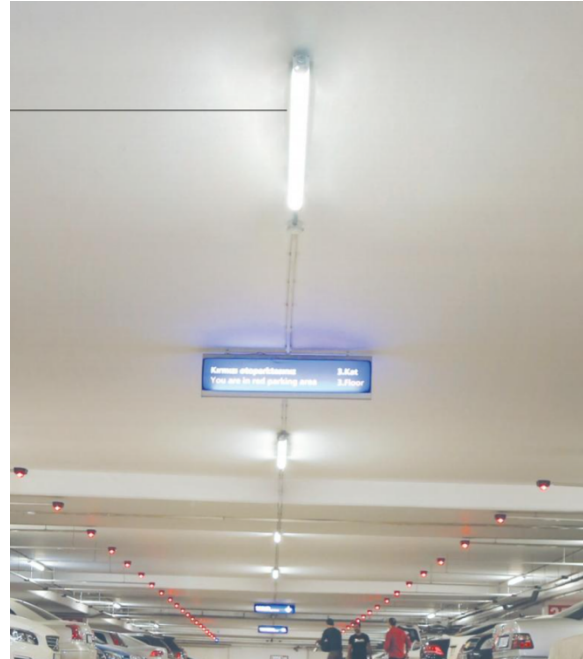
Arc Diffuser Cover Lens



Clear Arc Diffuser
D35



Frosted Arc Diffuser
D33



Parking Lots



Machine Shops



Hallways



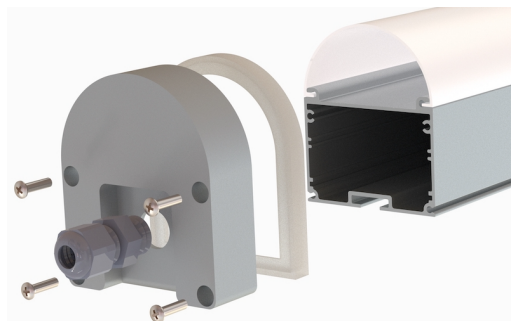
End Caps



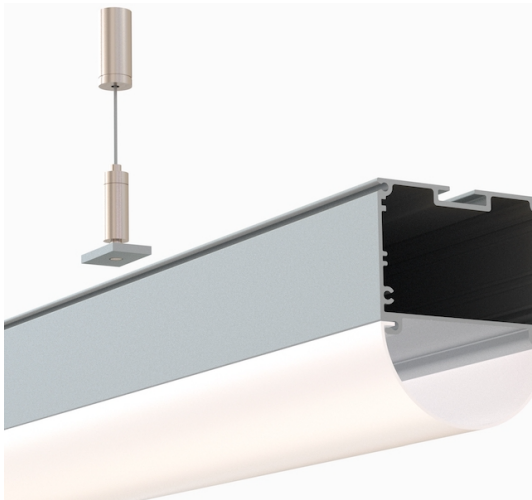
End Cap with Gasket
(w/Cord Grip)



End Cap with Gasket
(w/out Cord Grip)



Mounting



Suspension Kit
(Includes 2 steel wires of 1.5m/4.92ft and connection parts)



Flat Surface Mounting Bracket

